

## Component part/Weldable applications

### Shower Trays

Traps can be easily welded or fibreglassed into shower trays, avoiding the necessity to elevate shower base, to allow for standard trap clearance.

Tough stainless steel tops will withstand the harsh chemicals used to keep showers clean.

**Colours:** Tops available in almond/ivory, white, chrome, gold or brass.



## Component part/Weldable applications

### Urinals - Domed Top

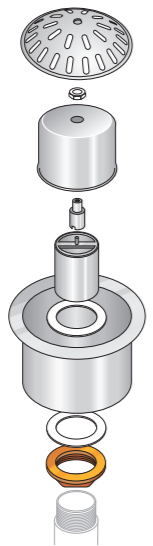
Domed top allows any solid waste such as cigarette butts, chewing gum and perfume cubes to become trapped in urinal trough, without blocking water flow.

Urinals that build up with uric salts can be easily disassembled and cleaned, preventing blocked drains and eliminating troubles associated with digging up concrete floors to unblock drains.

With the Esi-Clean Trap, water seal is at highest point of water outflow, minimising any smell.

Outer bowl available flanged or unflanged.

*Bowl sizes as per Bottom Exit Traps.*



## Component part/Weldable applications

### Equipment

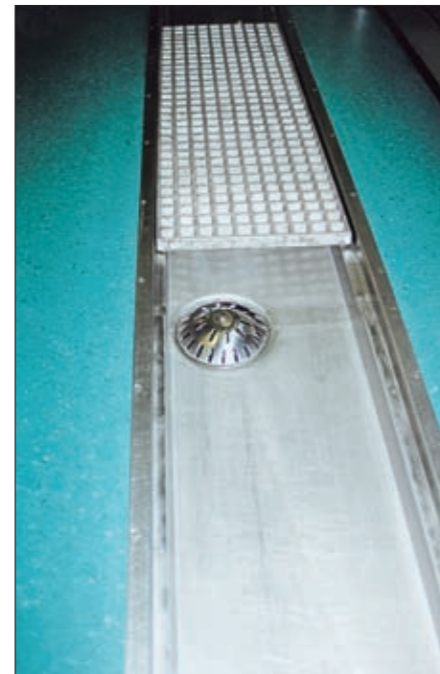
Often used as a component part in the design of equipment. Following are three examples.



Apron Wash



Hand Wash



Floor Channel



Metalcraft are specialist steel fabricators with plants in strategic New Zealand locations. Metalcraft have been manufacturing commercial and domestic steelware since the 1950's with the first prototypes of the Metalcraft Esi-Clean Trap being developed in 1957.

Since the 1950's much has changed, the methods of construction and continuous development of the Esi-Clean Trap has seen a simpler time tested patented Metalcraft Esi-Clean waste trap evolve.



Technical information contact manufacturing branch in Palmerston North.

**PALMERSTON NORTH:** 76 Malden St, Private Bag, Palmerston North.

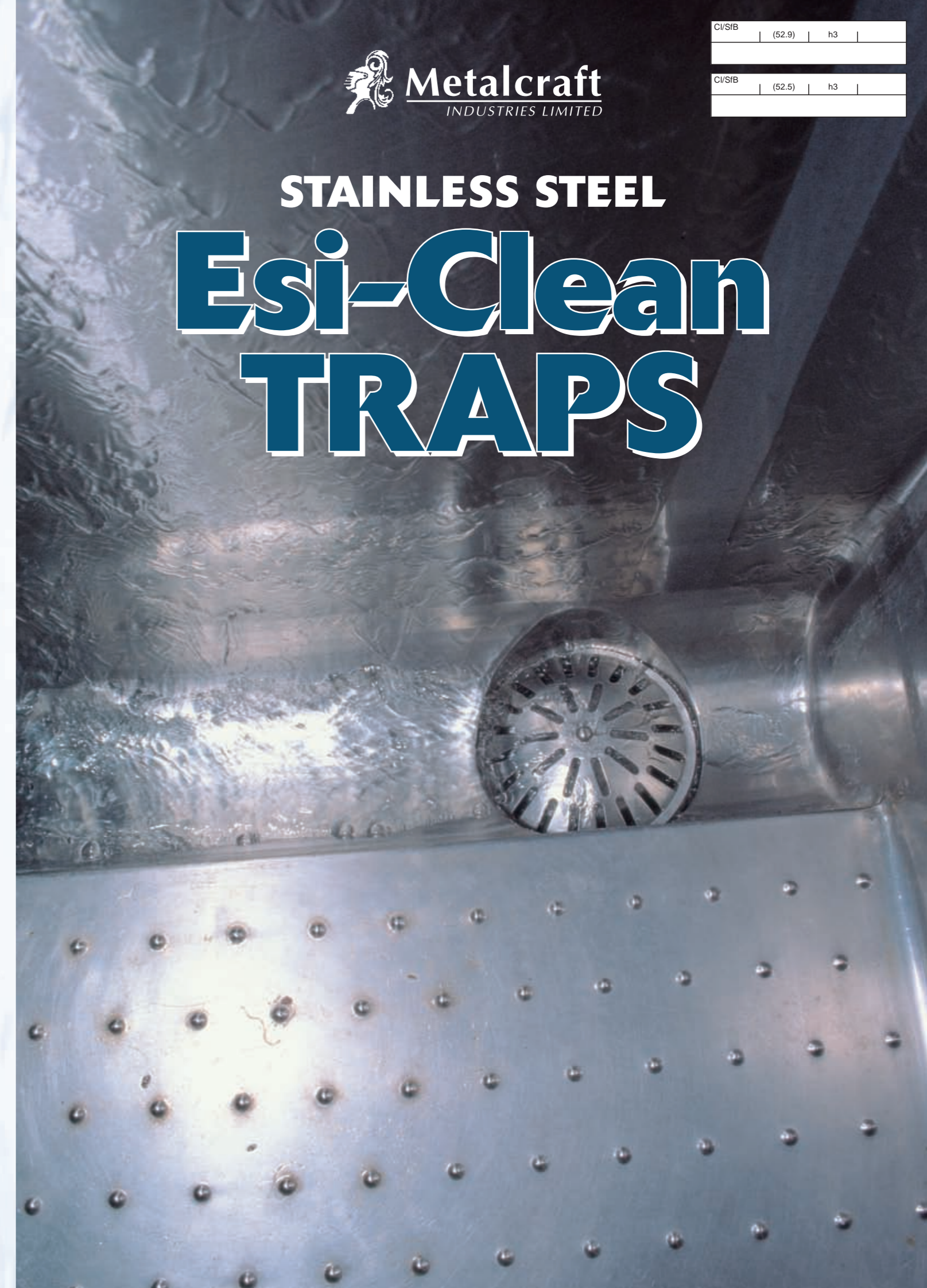
Ph: 06-358 9149. Free Phone: 0508-589 145. Fax: 06-358 7967.

Authorised Agents:



# STAINLESS STEEL Esi-Clean TRAPS

C/SIB	(52.9)	h3
C/SIB	(52.5)	h3

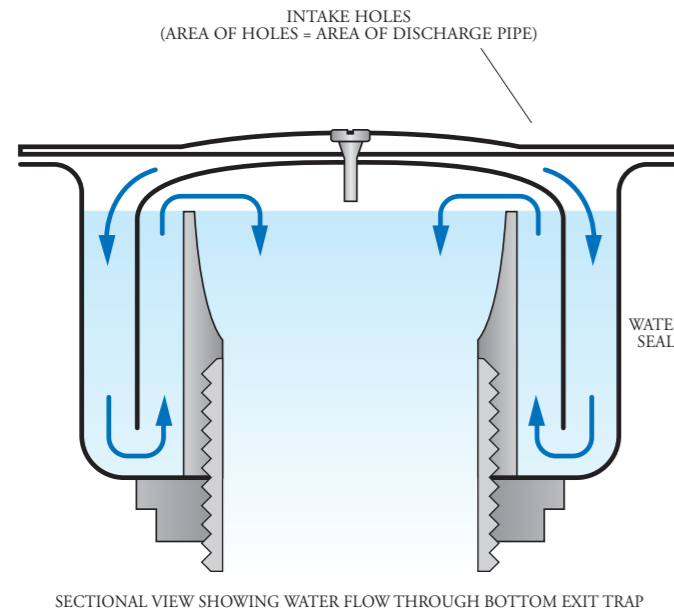


# Esi-Clean Waste Trap

Metalcraft Esi-Clean Waste Traps are a patented design, manufactured with a removable top to make cleaning out the waste easy.

The Esi-Clean Trap saves time, material and labour as it does away with troubles associated with digging up floors, or getting under floors to clear blockages of orthodox trap installations.

No allowances are needed for inspection holes or latches to clear blockages below floor levels.



If trap blocks, cleaning is gained by unscrewing top and removing obstruction, the lid is then simply screwed back on.

The Esi-Clean Traps are designed for use in showers, urinals, floors, patios and any situation that requires the overflow pipe to be trapped to prevent blockages and distasteful smell venting into the room.

Use a patented, tough, durable, stainless steel *Metalcraft Esi-Clean Waste Trap* and guarantee *your* installation.

## Residential Light Commercial Floor Waste Traps

### Bottom Exit Traps—Flat Top

Small design specifically suited to either concrete or timber floor construction; where trap installation is meant to be unobtrusive.

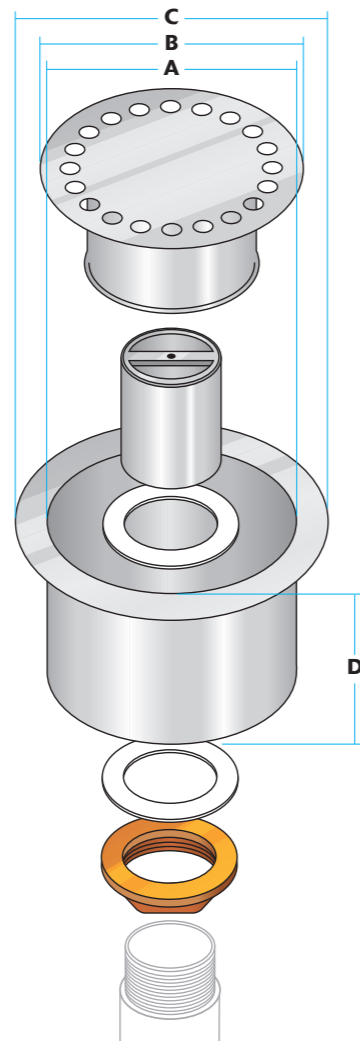
Used in bathrooms, laundries, spa rooms, wash down areas, or any area where there is a potential of water overflow.

Lid design allows flush mounting of trap onto floor, eliminating any potential tripping hazard.

Made of durable tough stainless steel, to withstand the harsh environment traps often face in residential and light commercial use.

Colour tops available in almond/ivory, white, chrome, gold or brass.

Refer to applicable applications section for any necessary accessories.



CODE	OUTLET SIZE	FLOW RATE	A O.D.	B Lid	C	D
TRAP 3080	40	47 l/min	120	131	151	76
TRAP 3100	50	68 l/min	120	131	151	76
TRAP 3120	65	114 l/min	148	156	176	79
TRAP 3140	75	190 l/min	148	156	176	79
TRAP 3190	Vinyl clamping ring – state size of trap					
TRAP 3185	Bottom exit with lugs – state size of trap					

## Residential Light Commercial Floor Waste Traps

### Side Exit Traps

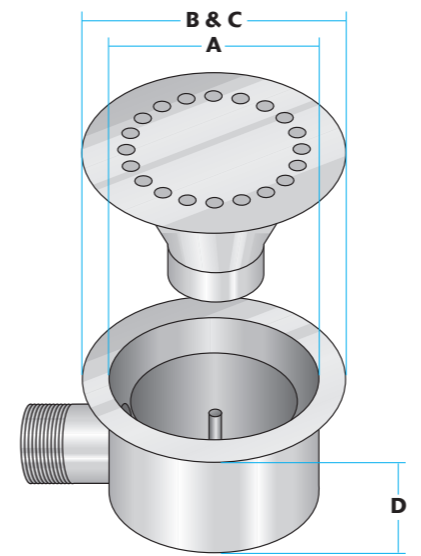
Extra low clearance from top floor height to exit allows trap to be used in cramped situations where bottom exit trap clearances do not fit. The side exit waste trap reduces need to dig deep trenches for outflow pipes.

Often used as an after thought, where surface water needs to be directed to sewer pipes.

Available only with a threaded nipple.

Colour tops available in almond/ivory, white, chrome, gold or brass.

Refer to applicable applications section for any necessary accessories.



CODE	OUTLET SIZE	FLOW RATE	A O.D.	B	C	D
TRAP 3067	40	37 l/min	120	151	151	90
TRAP 3069	50	72 l/min	120	151	151	90
TRAP 3191	Tiling ring for side exit only					
TRAP 3190	Vinyl clamping ring – fits both sizes					

## Industrial Sized Waste Traps

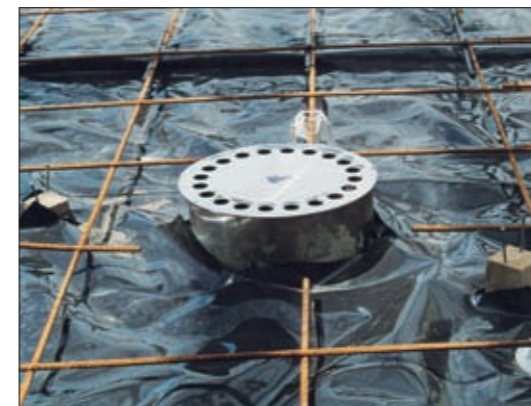
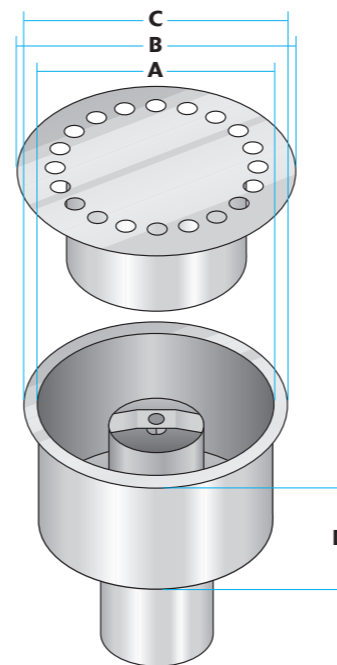
Ideal for commercial and industrial waste traps, where potentially large volumes of water need to be drained and solid waste trapped.

Used in wash down areas, overflow situations and washroom facilities.

Top plate made of tough 2.5mm stainless steel to withstand the weight of light vehicles. Outlet sized to fit inside PVC sewer pipe.

Available in Type 304 stainless steel or Type 316 stainless steel for processing plant requirements.

Heavy duty 6mm tops made on request.



CODE	OUTLET SIZE	FLOW RATE	A O.D.	B Lid	C	D
TRAP 3149	100mm	250 l/min	245	270	265	120 approx.
TRAP 3148	150mm	700 l/min	305	320	302	240 approx.

## Floor/Roof Waste

Used where water does need to be trapped. Especially suited for decks and roofs requiring water proof membrane sealing. Membrane is glued into inside of trap bowl when trap is flush mounted to floor or roof.

Extra low clearance from floor height to exit allows waste to be used in cramped conditions.

Dome top ideally suited for roof top installations. Stops rapid blocking up of downpipe from debris.

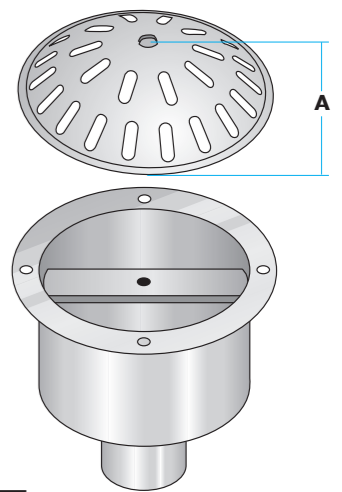
Clamping ring necessary for membranes over 1.5mm thick. Refer to vinyl applications for accessories.

Available in:

- Side exit either dome or flat top
- Bottom exit either high dome or flat top
- Threaded or compression fitting outlet



High dome pictured



### BOTTOM AND SIDE EXIT

BOTTOM EXIT CODE	SIDE EXIT CODE	OUTLET SIZE	A
TRAP 3340	TRAP 3340S	40mm	28
TRAP 3350	TRAP 3350S	50mm	28
TRAP 3365	TRAP 3365S	65mm	28
TRAP 3375	TRAP 3375S	75mm	28

Bowl sizes as per Bottom Exit and Side Exit Traps

## Applications:

### Vinyl Floors

Trap design allows vinyl to be clamped onto the inside wall of trap. This avoids water creep under vinyl. Trap can be cleaned without effecting water seal. Clamping method does not rely on an O'ring arrangement or a screw top to hold vinyl sealed.

All traps are suitable for vinyl floors. Always use clamping rings with vinyl floors. Same ring fits both bottom and side exit traps.



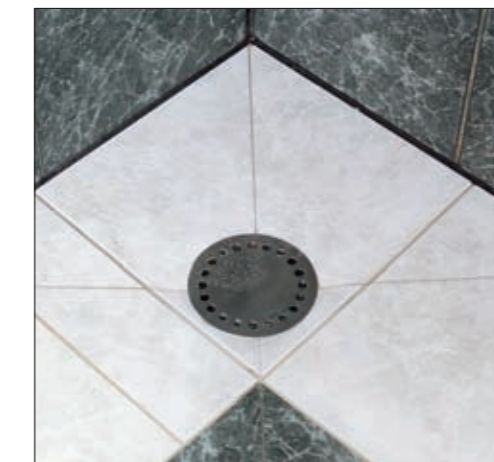
### Accessories:

Clamping ring: *code* Trap 3190  
Wooden floors fixing lugs: *code* Trap 3185

### Tile Floors

Trap design allows water proof membrane to be sealed into trap allowing water to escape preventing water creep and future building damage.

Both bottom and side exit traps are suitable for tile installations.



### Accessories:

- Side exit trap - Specify tiling ring with trap *code*: Trap 3191
- Wooden floors - Fixing lugs *code*: Trap 3185
- Bottom exit trap - Must not use tiling ring